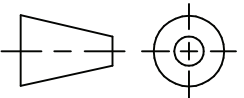


ALL DIMENSIONS ARE IN DECIMAL INCHES
TOLERANCES UNLESS OTHERWISE SPECIFIED
+ 1% @ 68° F



THIRD ANGLE PROJECTION
ANSI 14.5M

- NOTES:
1. NOM. WALL @ .150in(.381mm)
 2. SHOT WEIGHT 25 LBS.(11.34 KG)
 3. BLACK COLOR
 4. FOAM FILLED WEIGHT IS 35 LBS.(15.88 KG)

Ⓐ

FFBM2448-16

SCALE N.S.

PART NO.

16 INCH HIGH VERSAFLOAT
FOAM FILLED

CLIENT / DESCRIPTION

4010 HOSPERS DRIVE S. BOX 425, HOSPERS, IOWA 51238-0421
A DIVISION OF DEN HARTOG INDUSTRIES, INC.

ACE ROTO-MOLD

#80001 B/M PELLET

MATERIAL

DRAWN / DATE

NVE 7/20/05

ADH

7-8-08

GWC

DATE

1-12-07

APPRD.

DESCRIPTION

ADD BUOYANCY NOTE

ADH

METRIC DIMENSIONS ADDED CCN 1685

GWC

ADD FOAM FILLED WEIGHT

APPRD.

REV

1-12-07

REH/7/26/05

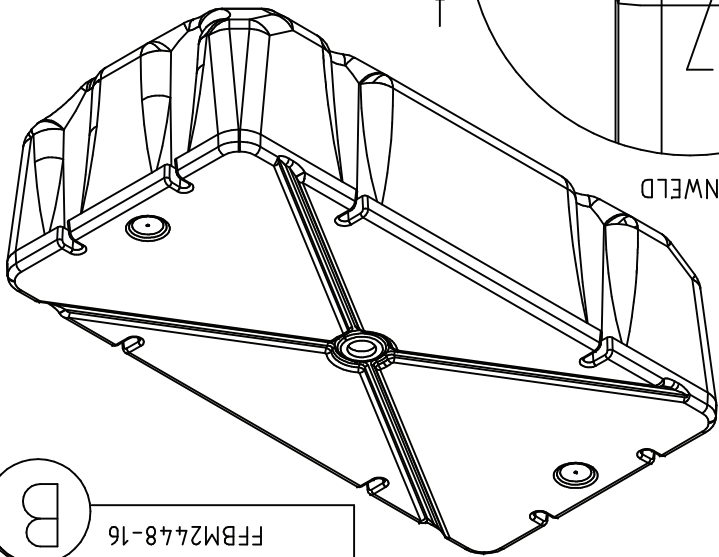
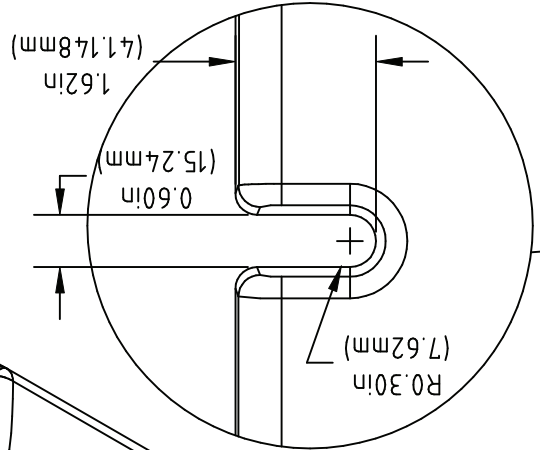
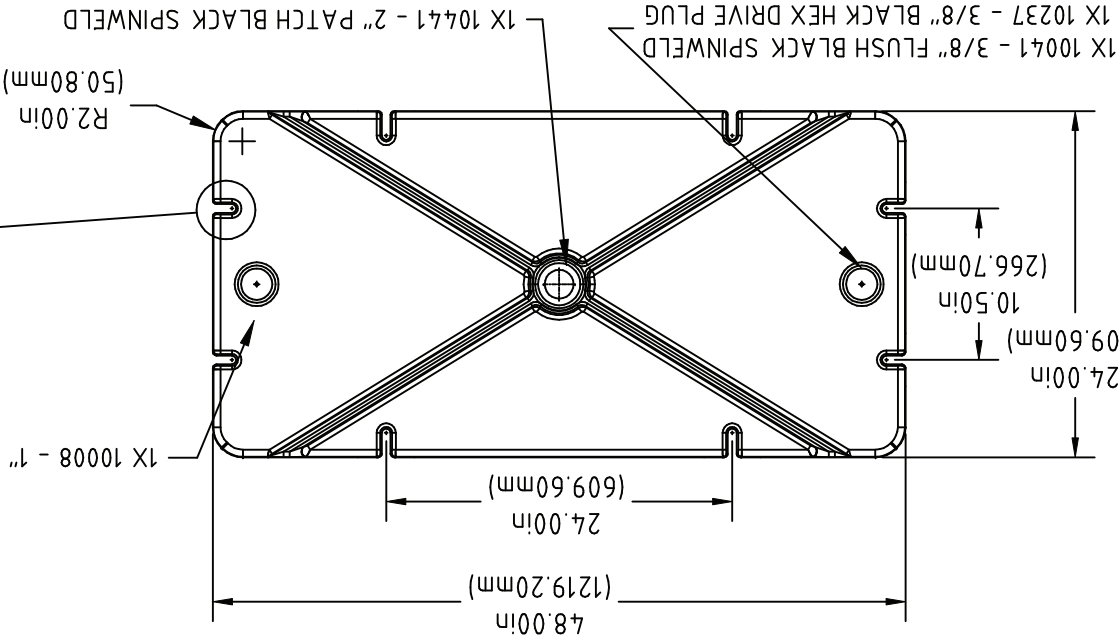
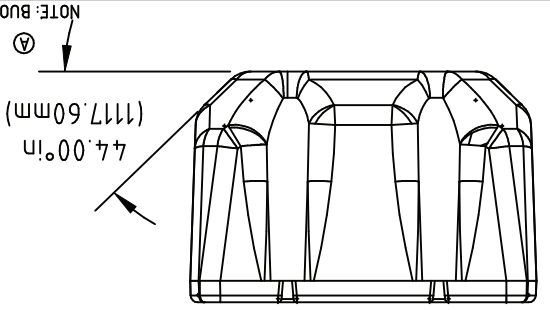
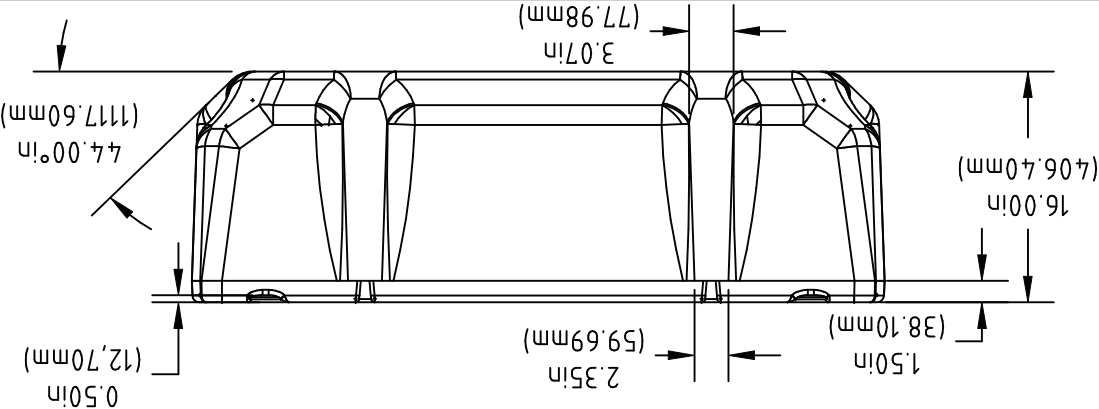
DESCRIPTION

DATE

1-12-07

REH/7/26/05

REV



SCALE: 6:1

1X 10008 - 1\"/>

R2.00in (50.80mm)

1X 10441 - 2\"/>

1X 10041 - 3/8\"/>

10.50in (266.70mm)

24.00in (609.60mm)

4.80in (1219.20mm)

PROPERTY OF ACE ROTO-MOLD MFG., INC. INFORMATION FURNISHED HEREIN IS THE PROPERTY OF ACE ROTO-MOLD MFG., INC. AND SHALL NOT BE USED, DISCLOSED TO OTHERS, OR COPIED WITHOUT THE EXPRESSED WRITTEN CONSENT OF ACE ROTO-MOLD MFG., INC. ALL RIGHTS RESERVED.

PROPRIETARY DATA

FFBM2448-16

B

NOTE: BUOYANCY IS 546 LBS.(247.66 KG)