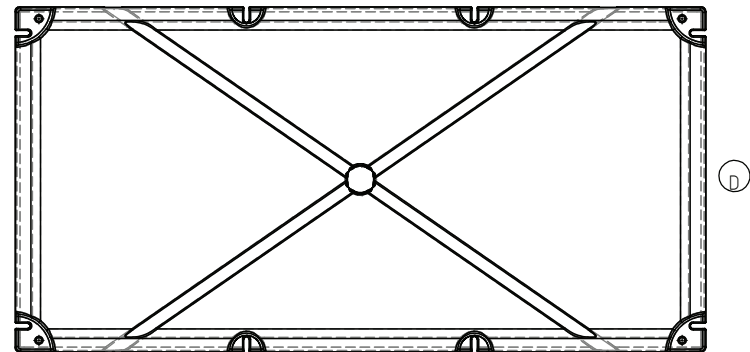
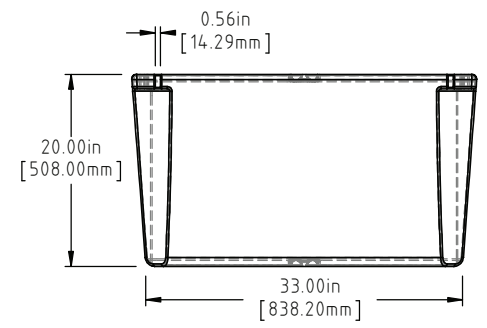
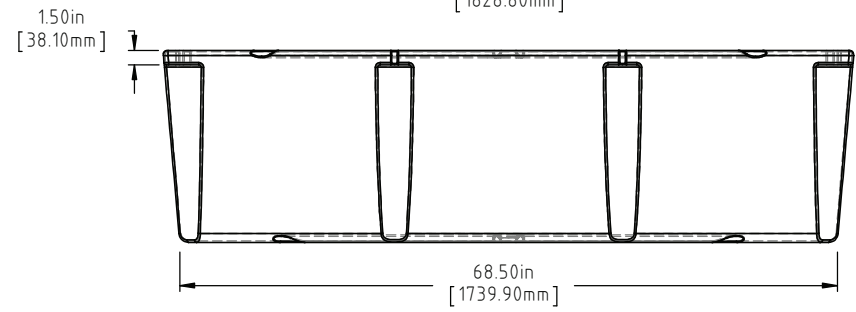
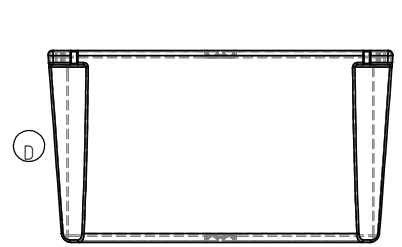
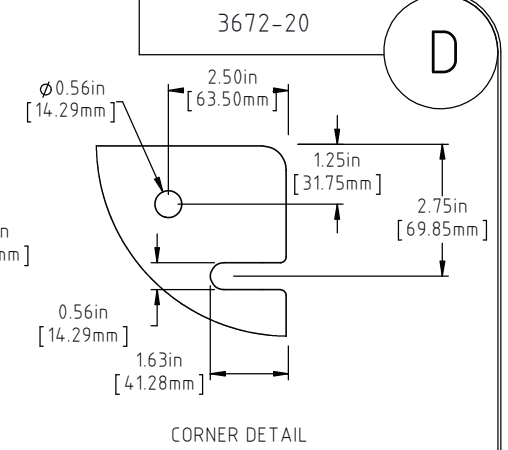
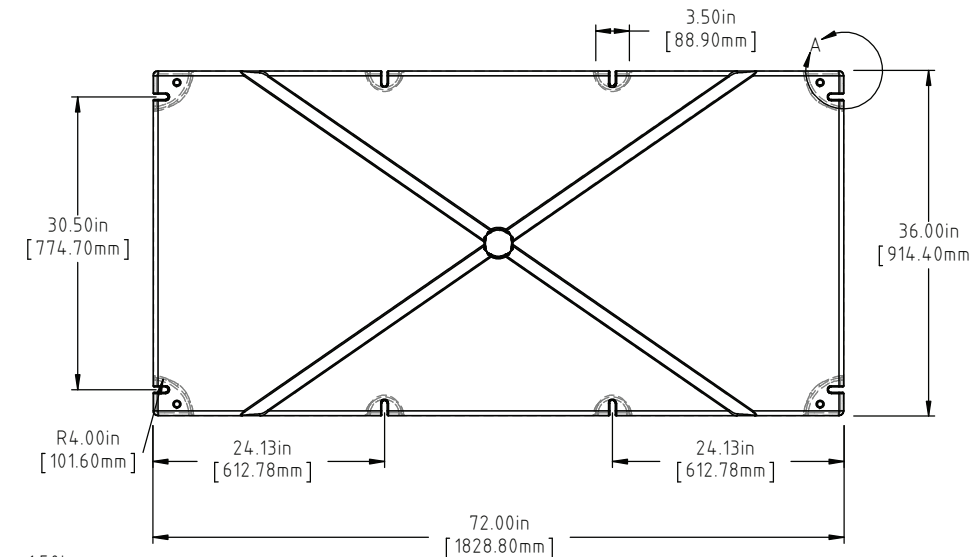


© DEN HARTOG INDUSTRIES, INC.

Copyright. All information furnished within this document, electronic file or design correspondence is the property of Den Hartog industries, Inc. and shall not be used, disclosed to others or copied without the expressed written consent of Den Hartog Industries, Inc.



D	BOTTOM AND SIDE VIEWS ADDED TO PRINT	ADH 11/13/14	2959
C	87 LBS WAS 86 LBS	ADH 6/22/12	2420
B	METRIC DIMENSIONS ADDED	ADH 6/17/08	1685
A	ADD BUOYANCY NOTE	GWC 1/9/07	
A	CHANGE WEIGHT AF WAS 54 FF WAS 92	GWC 1/9/07	
2	CHANGE WEIGHTS	11/17/94	
1	NEW DIM	5/19/94	
REV	DESCRIPTION	BY / DATE	CCN

DRAWN / DATE	MATERIAL
DEAN 4/20/94	POLYETHYLENE
APPRD. / DATE	
ADH 11/5/07	

SHOT WEIGHT:	NOTES: (A) (C)
58 LBS.(26.31 KG.)	1.) AF 58 LBS.(26.31 KG.)
SHIPPING WEIGHT:	2.) FF 87 LBS.(39.46 KG.)
SEE NOTES	3.) 0.150in (3.81mm) NOM. WALL
FINISH:	

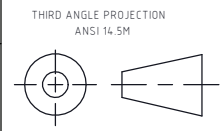
(A) NOTE: BUOYANCY 1638.00 LBS.(742.98 KG.)



Den Hartog
INDUSTRIES, INC.

Ace Roto-Mold Injection Molding Blow Molding Sowjoy
4010 HOSPERS DRIVE S. BOX 425, HOSPERS, IOWA 51238-0425

ALL DIMENSIONS ARE IN DECIMAL INCHES
TOLERANCES UNLESS OTHERWISE SPECIFIED
POLYETHYLENE METAL
DECIMAL ± .125"
FRACTION ± 1/4"
ANGLE ± 1°
±1% @ 68°F



DESCRIPTION	36 X 72 X 20 FLOAT
SCALE	N.S.
PART NO.	3672-20