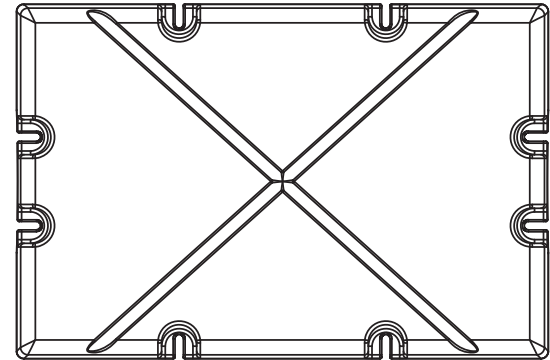
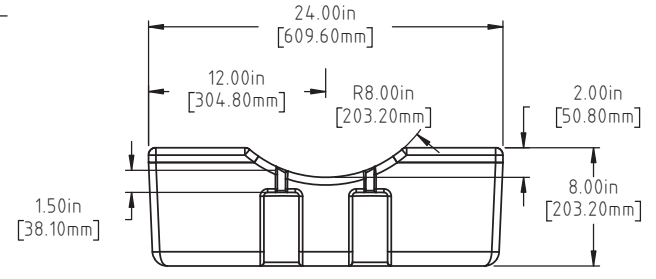
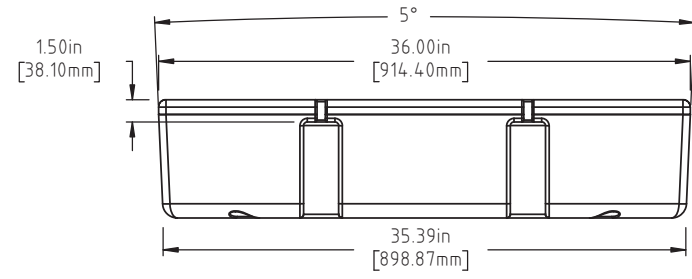
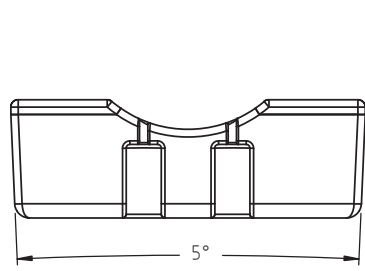
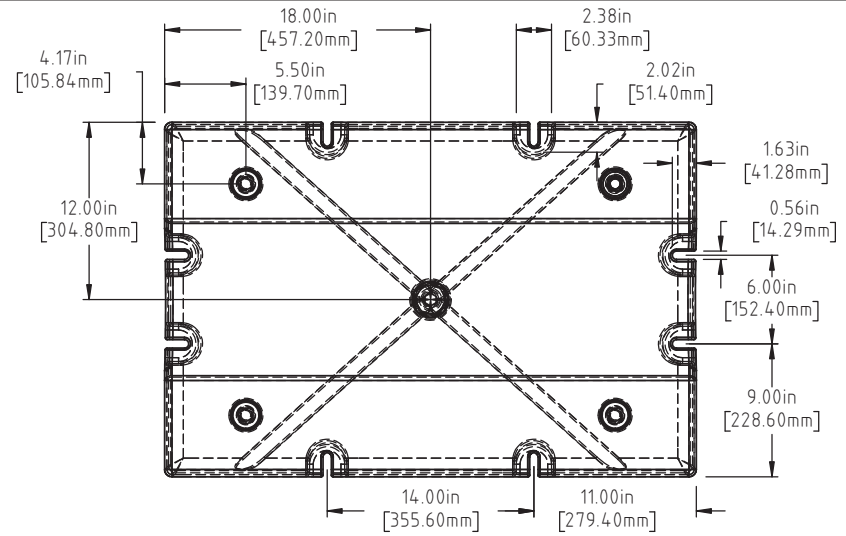


Copyright. All information furnished within this document, electronic file or design correspondence is the property of Den Hartog Industries, Inc. and shall not be used, disclosed to others or copied without the expressed written consent of Den Hartog Industries, Inc.



NOTE BUOYANCY: 194.00 LBS (88.0 KG)

REV	DESCRIPTION	BY / DATE	CCN	DRAWN / DATE ADH 12/13/16	MATERIAL 10548
				APPRD. / DATE REH 1/31/17	
ALL DIMENSIONS ARE IN DECIMAL INCHES TOLERANCES UNLESS OTHERWISE SPECIFIED		THIRD ANGLE PROJECTION ANSI 14.5M		SHOT WEIGHT: 16.0 LBS (7.30 KG)	NOTES:
POLYETHYLENE		METAL DECIMAL ± .125" FRACTION ± 1/4" ANGLE ± 1°		SHIPPING WEIGHT: 21.0 LBS (9.53 KG)	
±1% @ 68°F				FINISH:	

Den Hartog

INDUSTRIES, INC.

Ace Roto-Mold Injection Molding Blow Molding Sowjoy

4010 HOSPERS DRIVE S. BOX 425, HOSPERS, IOWA 51238-0425

DESCRIPTION		24 X 36 X 08 LOG FLOAT	
SCALE	N.S.	PART NO.	FF2436-08LF