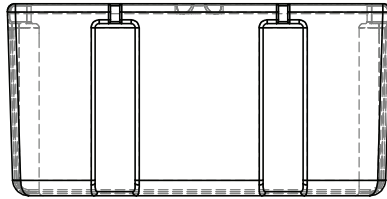
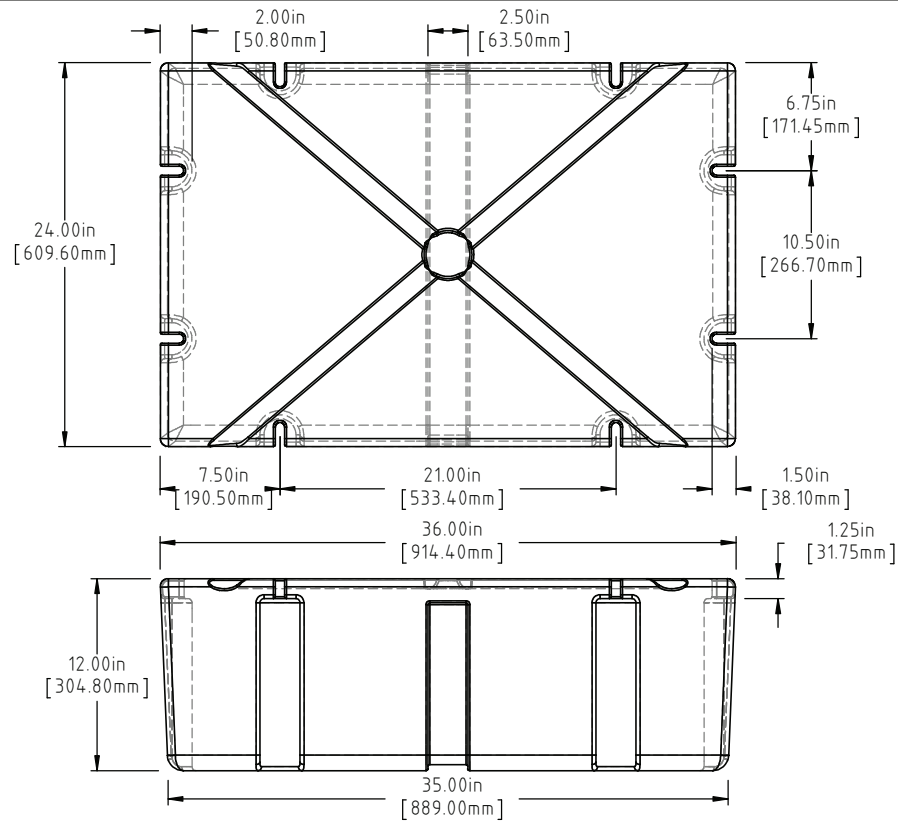
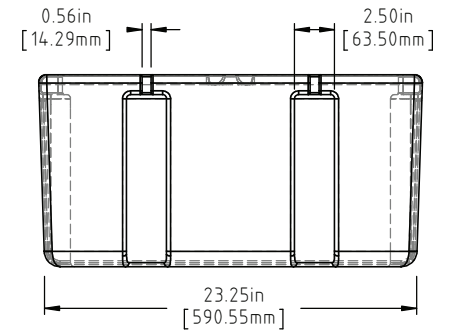


Copyright. All information furnished within this document, electronic file or design correspondence is the property of Den Hartog Industries, Inc. and shall not be used, disclosed to others or copied without the expressed written consent of Den Hartog Industries, Inc.



F



E	BOTTOM AND SIDE VIEWS ADDED TO PRINT	ADH 12/4/14	2971
D	27 LBS WAS 26 LBS, 318 LBS WAS 316 LBS	ADH 6/18/12	2420
C	METRIC DIMENSIONS ADDED	ADH 6/11/08	1685
B	ADDED BUOYANCY	GWC 12/5/06	
A	CHANGE WEIGHT	GWC 12/5/06	
1	CHANGE WEIGHT	11/16/94	
REV	DESCRIPTION	BY / DATE	CCN

DRAWN / DATE DHJ 10/15/93	MATERIAL POLYETHYLENE
APPRD. / DATE ADH 11/5/07	
SHOT WEIGHT: 20 LBS.(9.07 KG.)	NOTES: (A) (D) 1.) AF 20 LBS.(9.07 KG.) 2.) FF 27 LBS.(12.25 KG.) 3.) 0.150in (3.81mm) NOM. WALL
SHIPPING WEIGHT: SEE NOTES	
FINISH:	

(D) (B) NOTE: BUOYANCY 318 LBS.(144.24 KG.)



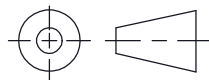
Den Hartog
INDUSTRIES, INC.

Ace Roto-Mold Injection Molding Blow Molding Sowjoy

4010 HOSPERS DRIVE S. BOX 425, HOSPERS, IOWA 51238-0425

ALL DIMENSIONS ARE IN DECIMAL INCHES
TOLERANCES UNLESS OTHERWISE SPECIFIED
POLYETHYLENE
±1% @ 68°F

THIRD ANGLE PROJECTION
ANSI 14.5M



DESCRIPTION	24 X 36 X 12 FLOAT
SCALE	N.S.
PART NO.	2436-12